

**COASTAL
PERFORMANCE**
by Sunrise Windows, LTD.

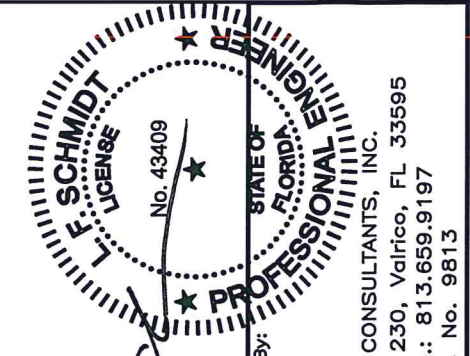
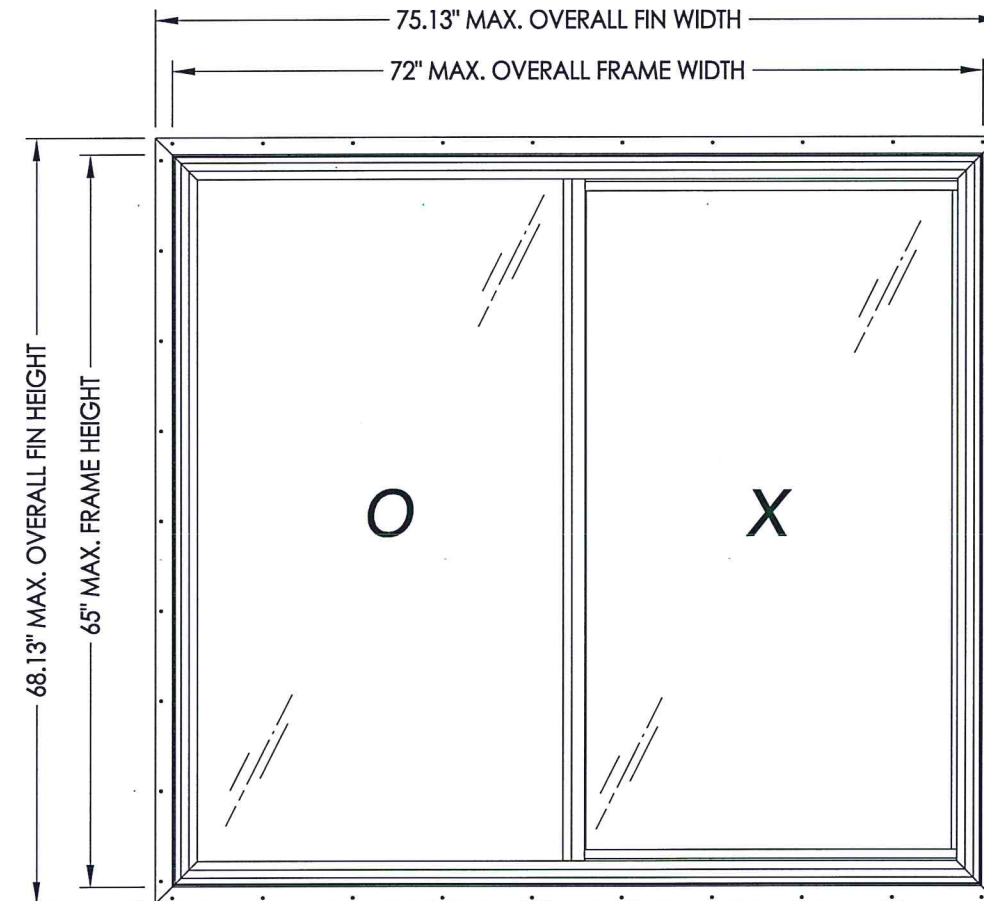
Series 7230 Coastal Performance Horizontal Sliding Window w/ Nail Fin "IMPACT"

GENERAL NOTES

1. This product has been evaluated and is in compliance with the 6th Edition (2017) Florida Building Code (FBC) structural requirements excluding the "High Velocity Hurricane Zone" (HVHZ).
2. Product anchors shall be as listed and spaced as shown on details. Anchor embedment to base material shall be beyond wall dressing or stucco.
3. When used in areas requiring wind borne debris protection this product complies with FBC Sections 1609.1.2 & R301.2.1.2 and does not require an impact resistant covering. This product meets missile level "D" and includes Wind Zone 3 as defined in ASTM E1996 and FBC Sections 1609.1.2.2 & R301.2.1.2.1.
4. Site conditions that deviate from the details of this drawing require further engineering analysis by a licensed engineer or registered architect.

TABLE OF CONTENTS	
SHEET#	DESCRIPTION
1	Typical elevations, design pressures & general notes
2	Vertical & horizontal cross sections
3	Vertical & horizontal cross sections
4	Buck & frame anchoring
5	Components
6	Bill of materials and glazing details

MAX. OVERALL FIN DIMENSION	MAX. OVERALL FRAME DIMENSION	MAX DAY LITE DIMENSION (OPERABLE)	MAX DAY LITE DIMENSION (FIXED)	GLASS TYPE	DESIGN PRESSURE (PSF)	
					POS.	NEG.
75.13" X 68.13"	72.0" X 65.0"	32.5" X 58.5"	32.5" X 60.5"	G1	+55.0	-55.0



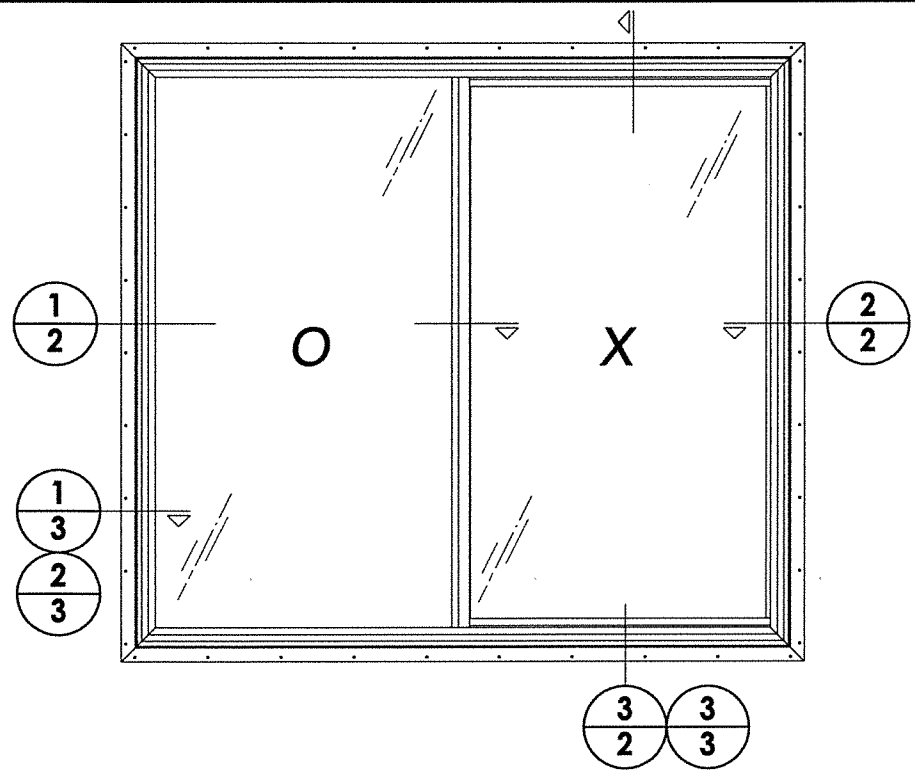
Documents Prepared By:
Lyndon F. Schmidt
P.E. No. 43409

R.W. BUILDING CONSULTANTS, INC.
P.O. Box 230, Vairico, FL 33595
Phone No.: 813.659.9197
FBPE C.A. No. 9813

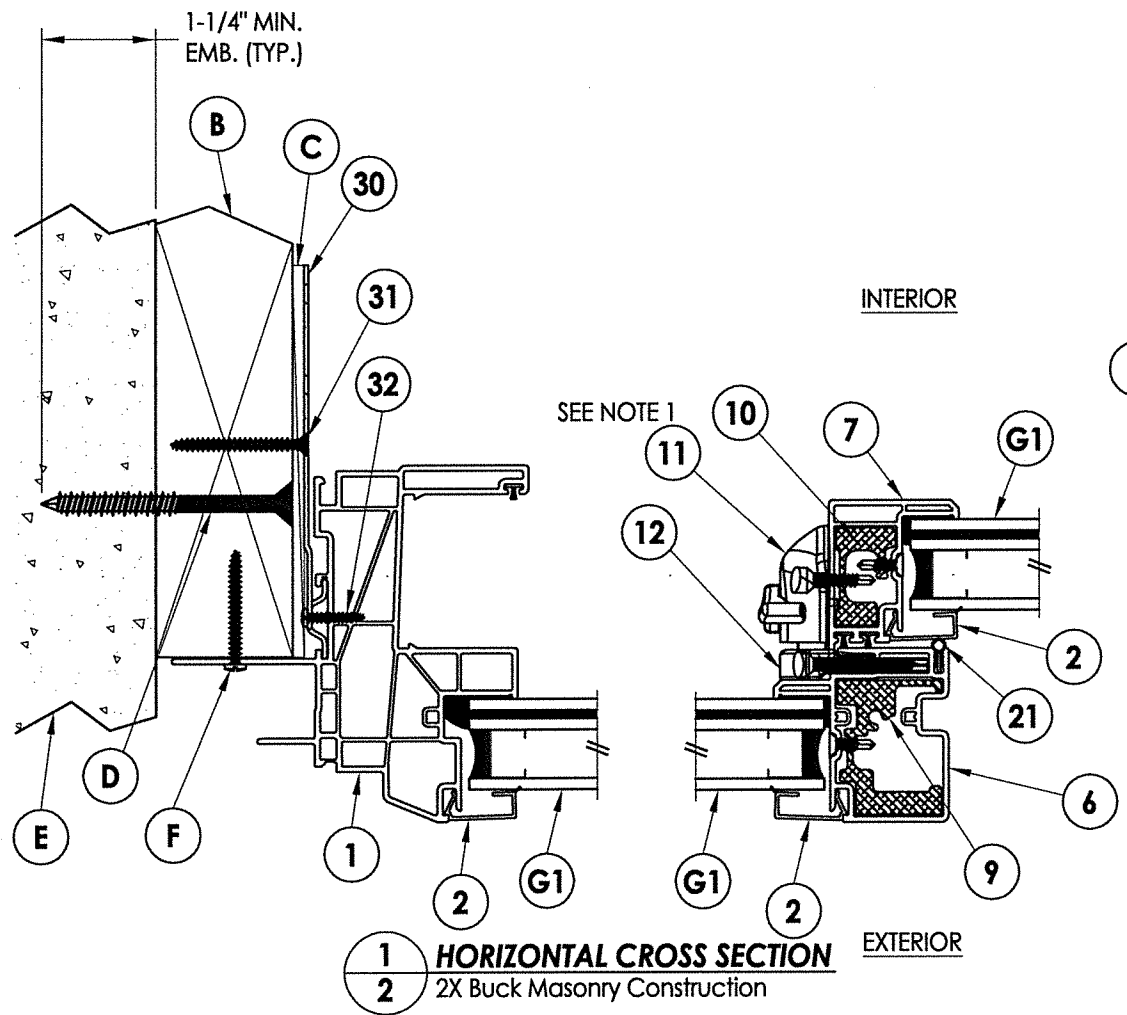
PRODUCT: SUNRISE WINDOWS
PART OR ASSEMBLY:
TYPICAL ELEVATION, DESIGN
PRESSURES & GENERAL NOTES

NO.	DATE	BY	REVISIONS

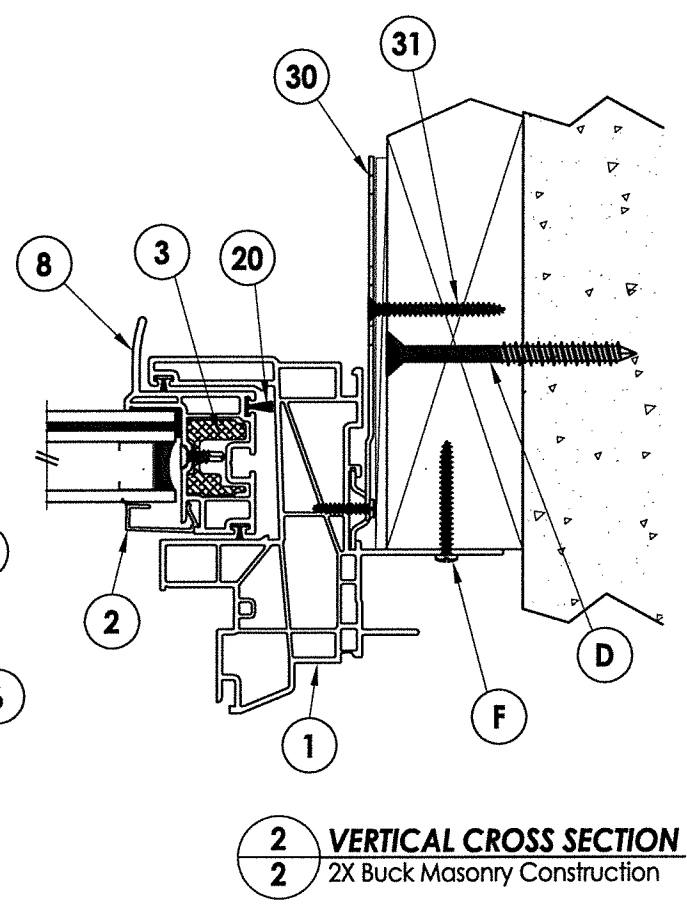
DATE: 4/18/18
SCALE: N.T.S.
DWG. BY: JK
CHK. BY: LFS
DRAWING NO.:
FL-26909.1
SHEET 1 OF 6



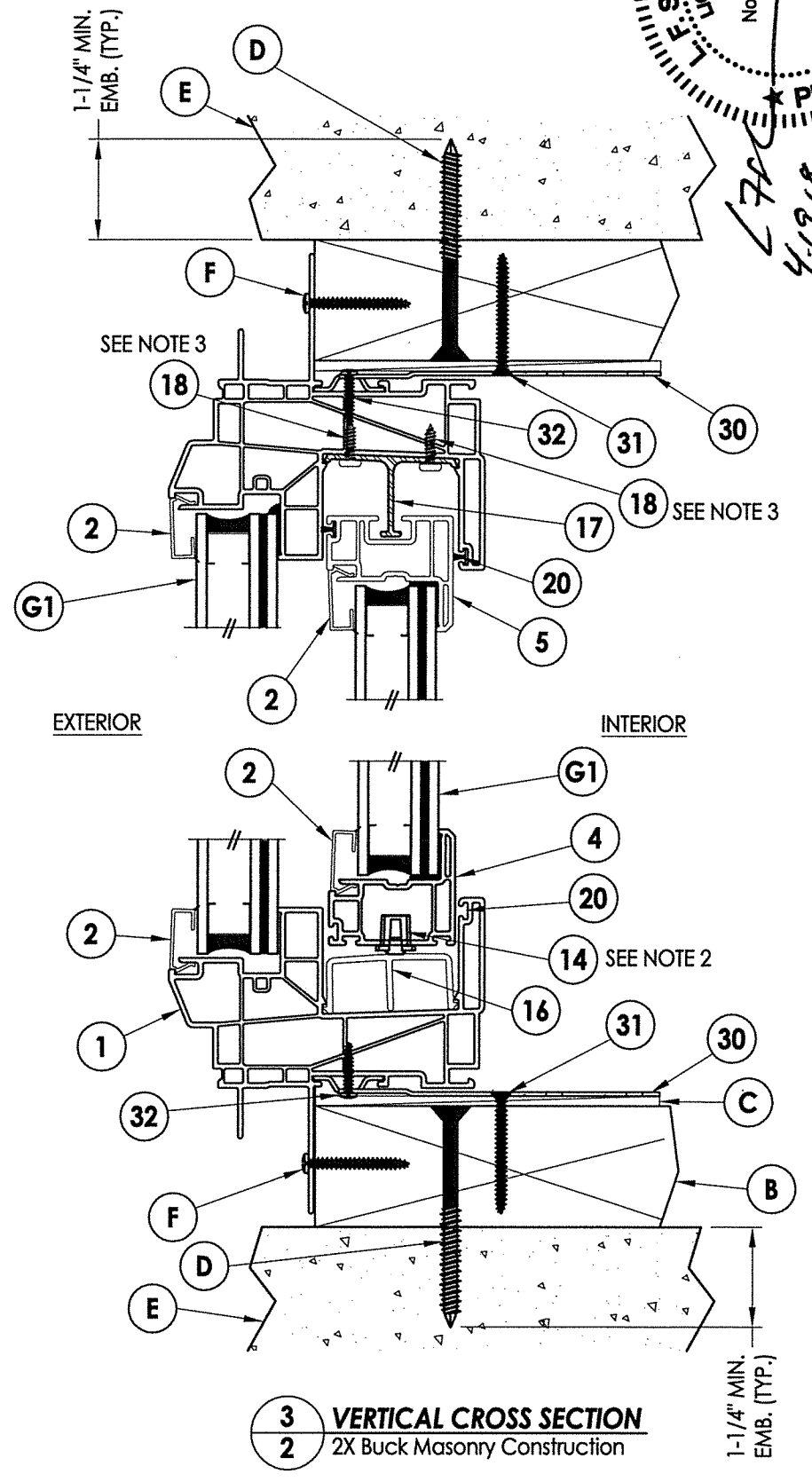
Note:
 1. Lock and keeper located 7" from each end of lock/meeting stile.
 2. Metal roller assembly located 2" from each end of the bottom rail.
 3. Anti-lift secured to head with (6) #6 x 1/2" PPH SMS.



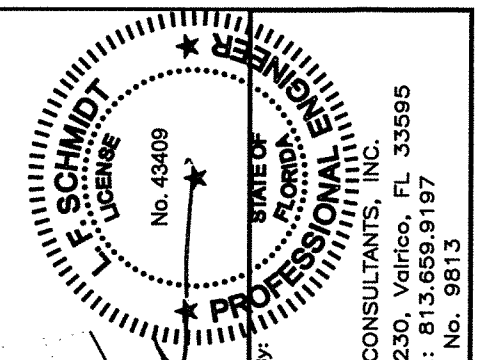
1 HORIZONTAL CROSS SECTION
2 2X Buck Masonry Construction



2 VERTICAL CROSS SECTION
2 2X Buck Masonry Construction



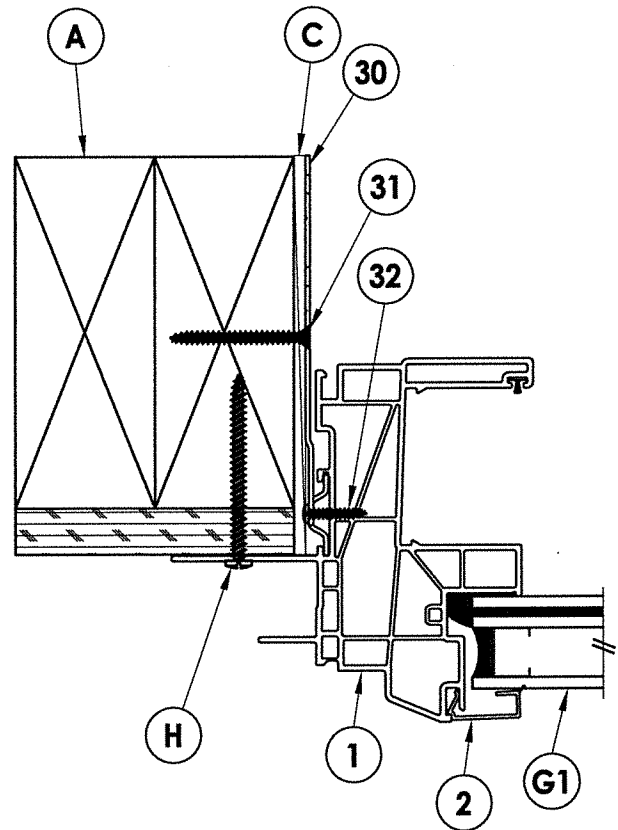
3 VERTICAL CROSS SECTION
2 2X Buck Masonry Construction



Documents Prepared By:
 Lyndon F. Schmidt
 P.E. No. 43409

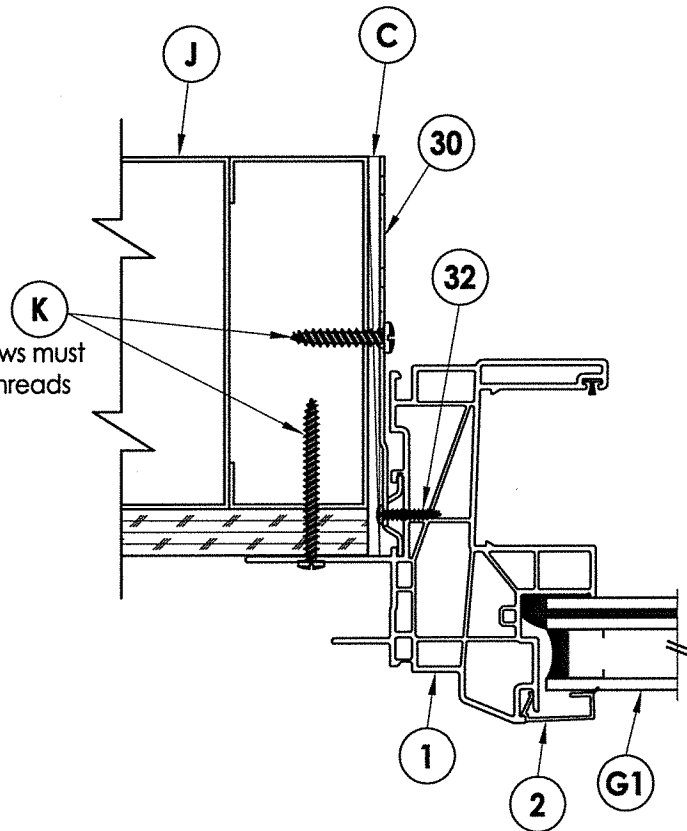
R.W. BUILDING CONSULTANTS, INC.
 P.O. Box 230, Valrico, FL 33595
 Phone No.: 813.659.9197
 FBPE C.A. No. 9813

PRODUCT: SUNRISE WINDOWS	
PART OR ASSEMBLY: VERTICAL & HORIZONTAL CROSS SECTIONS	
NO.	DATE
BY	REVISIONS
DATE: 4/18/18	
SCALE: N.T.S.	
DWG. BY: JK	
CHK. BY: LFS	
DRAWING NO.: FL-26909.1	
SHEET 2 OF 6	



1 HORIZONTAL CROSS SECTION
3 Stud Construction

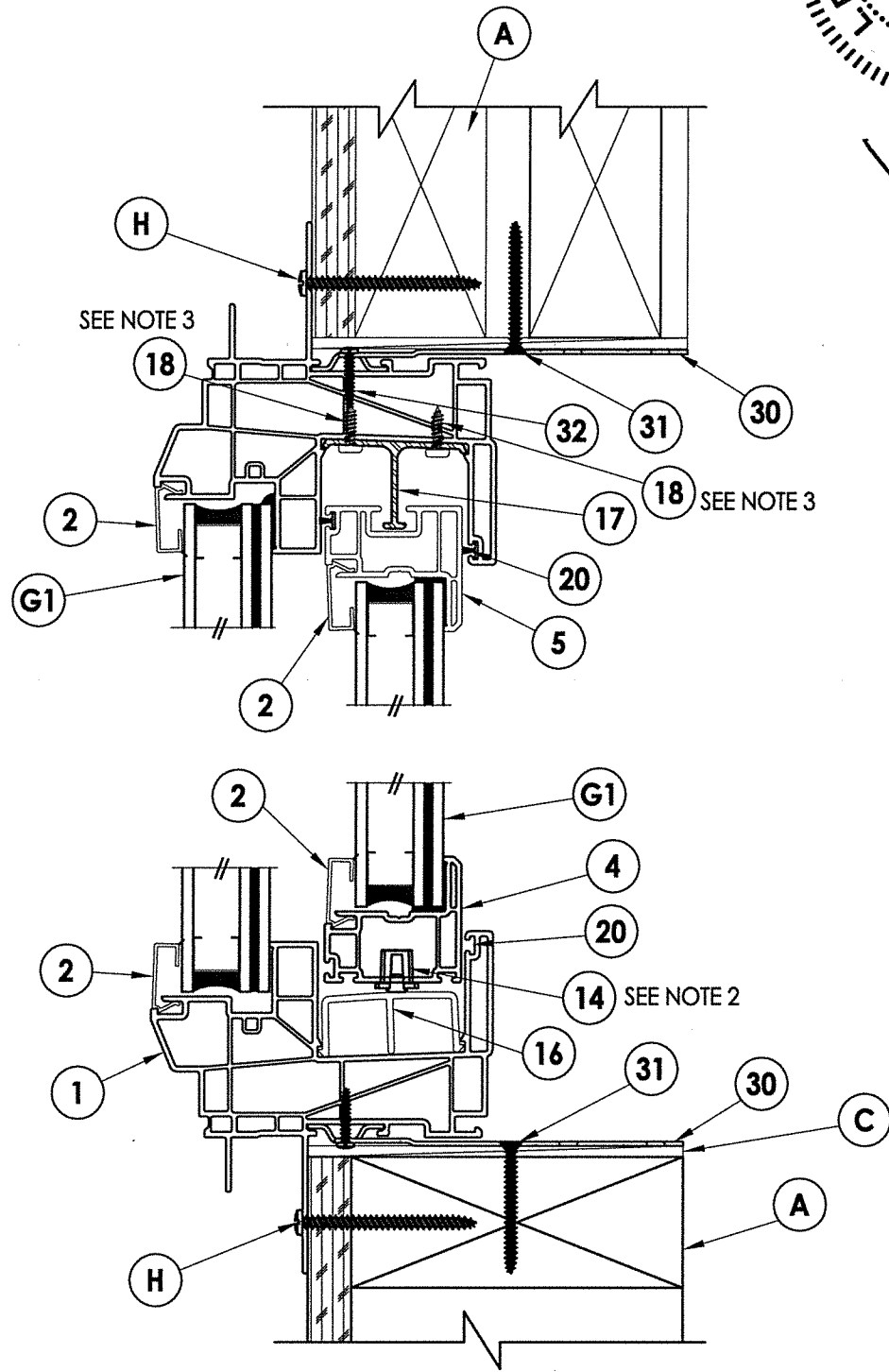
NOTE: Sheet Metal Screws must penetrate a min. of 3 threads through metal.



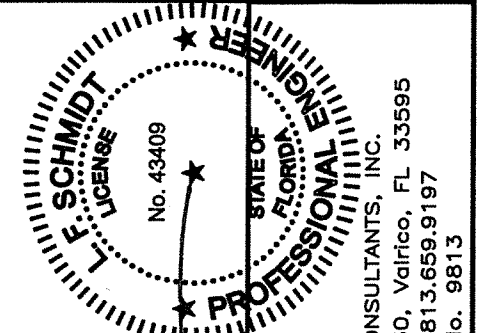
2 HORIZONTAL CROSS SECTION
3 Shown w/ Steel Stud Framing Option

INTERIOR

EXTERIOR



3 VERTICAL CROSS SECTION
3 Stud Construction

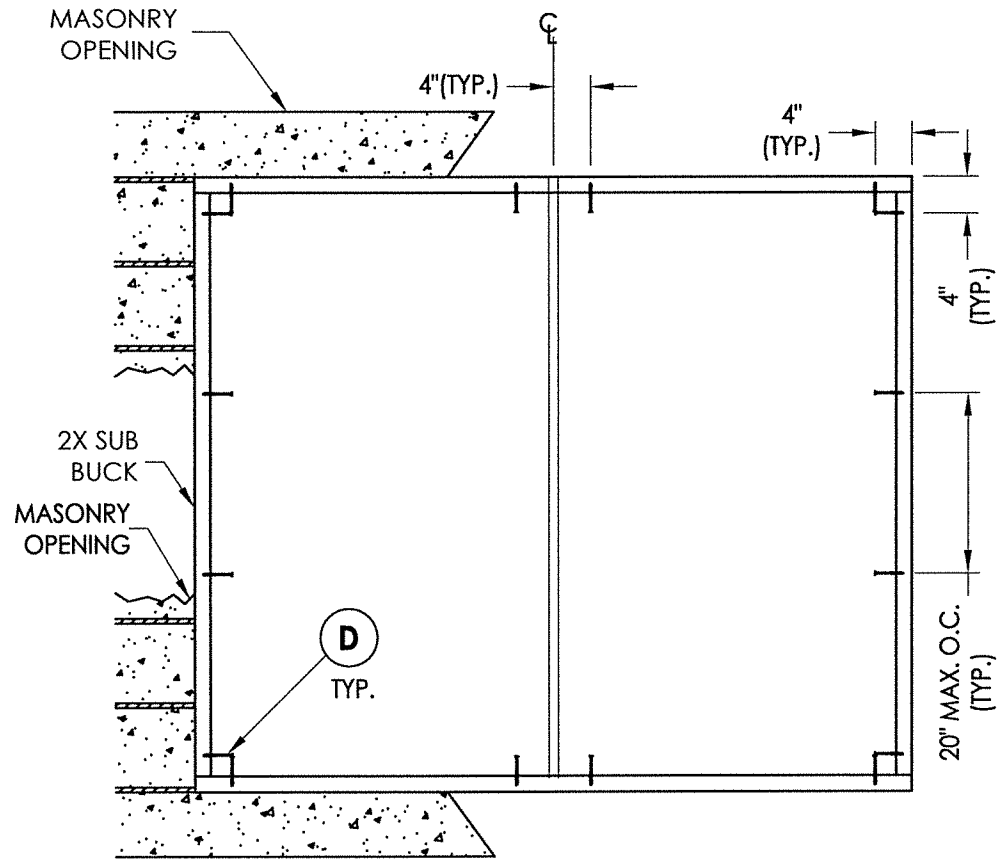


Documents Prepared By:
Lyndon F. Schmidt
P.E. No. 43409

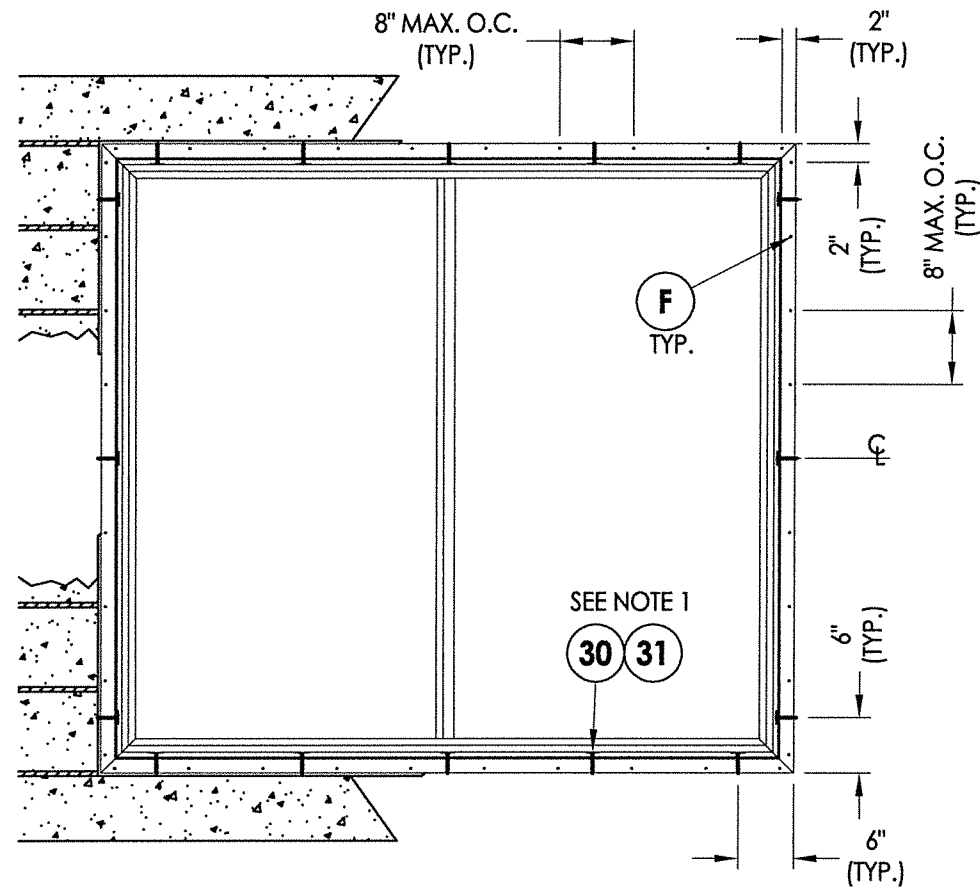
RW BUILDING CONSULTANTS, INC.
P.O. Box 230, Vairico, FL 33595
Phone No.: 813.659.9197
FBPE C.A. No. 9813

PRODUCT: SUNRISE WINDOWS	
PART OR ASSEMBLY: VERTICAL & HORIZONTAL CROSS SECTIONS	
NO.	DATE
BY	REVISIONS
DATE: 4/18/18	
SCALE: N.T.S.	
DWG. BY: JK	
CHK. BY: LFS	
DRAWING NO.: FL-26909.1	
SHEET 3 OF 6	

R:\Clients\Sunrise Windows\A - Florida Product Approvals\FL-26909 - 7230 Horizontal Slider Coastal Window\C - Drawings\FL 26909.dwg, 4.3



BUCK ANCHORING



FRAME ANCHORING
2X Buck Masonry Construction

2X/STEEL STUD FRAMING TO BE DESIGNED BY THE ENGINEER OR ARCHITECT OF RECORD

NOTE:

- INSTALLATION TIE STRAPS REQUIRED AS FOLLOWS (IN ADDITION TO NAIL FIN ANCHORS):
 JAMBS: 6" FROM EACH CORNER & AT CENTERLINE (3 TOTAL).
 HEAD & SILL: 6" FROM EACH CORNER & 3 MORE EQUALLY SPACED (5 TOTAL).

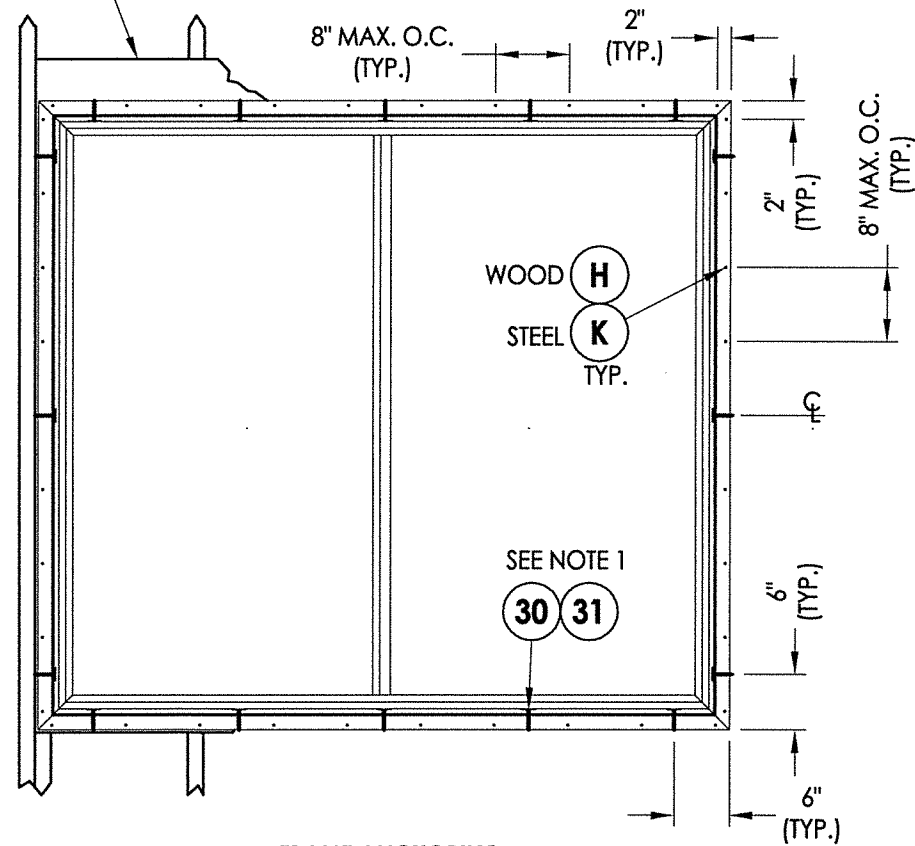
CONCRETE ANCHOR NOTES:

- Concrete anchor locations at the corners may be adjusted to maintain the min. edge distance to mortar joints.
- Concrete anchor locations noted as "MAX. ON CENTER" must be adjusted to maintain the min. edge distance to mortar joints, additional concrete anchors may be required to ensure the "MAX. ON CENTER" dimension are not exceeded.
- Concrete anchor table:

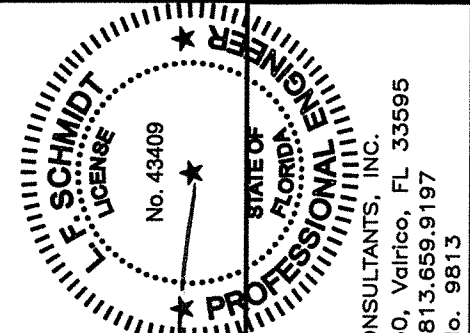
ANCHOR TYPE	ANCHOR SIZE	MIN. EMBEDMENT	MIN. CLEARANCE TO MASONRY EDGE	MIN. CLEARANCE TO ADJACENT ANCHOR
ITW TAPCON®	1/4"	1-1/4"	2"	4"
ELCO ULTRACON®	1/4"	1-1/4"	1"	4"

WOOD SCREW INSTALLATION NOTES:

- Maintain a minimum 5/8" edge distance, 1" end distance, & 1" o.c. spacing of wood screws to prevent the splitting of wood.

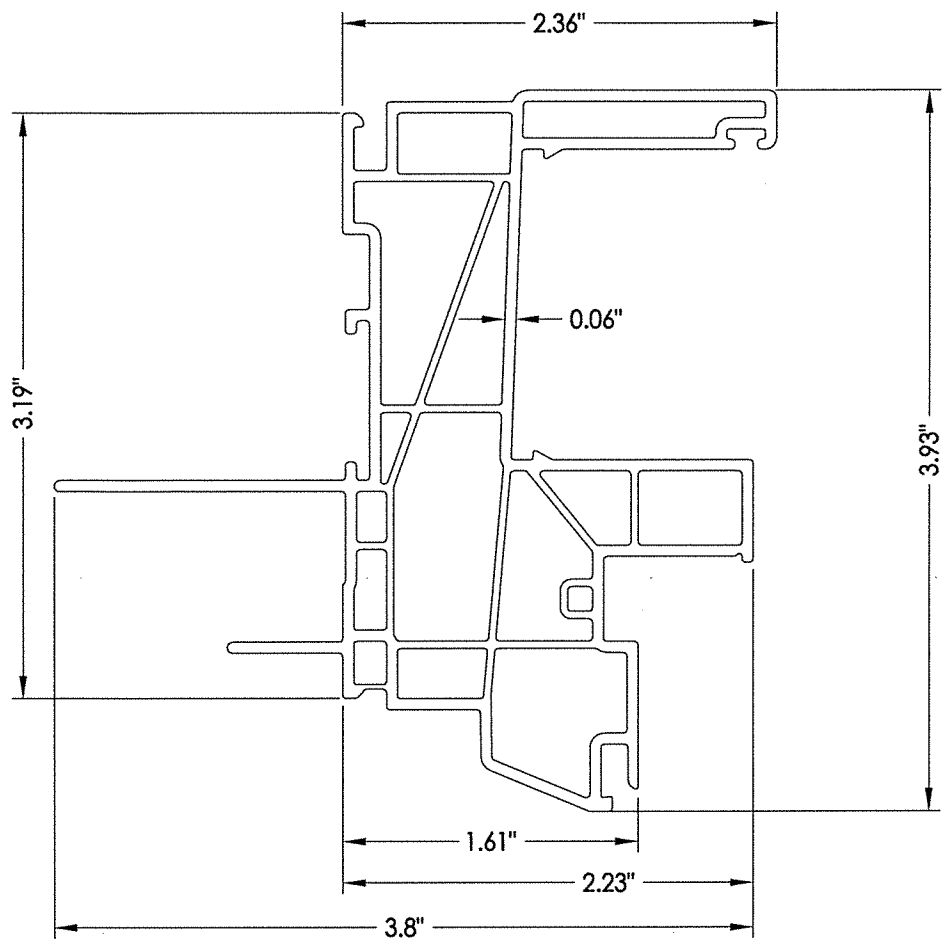


FRAME ANCHORING
Stud Construction

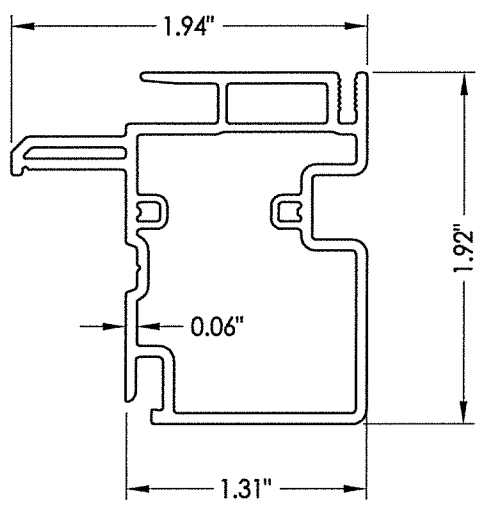


Documents Prepared By:
 Lyndon F. Schmidt
 P.E. No. 43409
 4-19-18
 R.W. BUILDING CONSULTANTS, INC.
 P.O. Box 230, Valrico, FL 33595
 Phone No.: 813.659.9197
 FBPE C.A. No. 9813

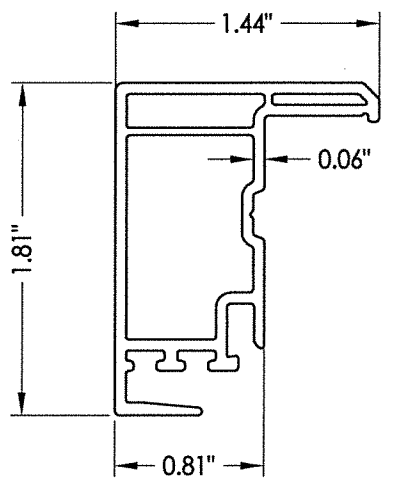
PRODUCT:	SUNRISE WINDOWS
PART OR ASSEMBLY:	BUCK & FRAME ANCHORING
NO.	DATE
BY	
REVISIONS	
DATE:	4/18/18
SCALE:	N.T.S.
DWG. BY:	JK
CHK. BY:	LFS
DRAWING NO.:	FL-26909.1
SHEET	4 OF 6



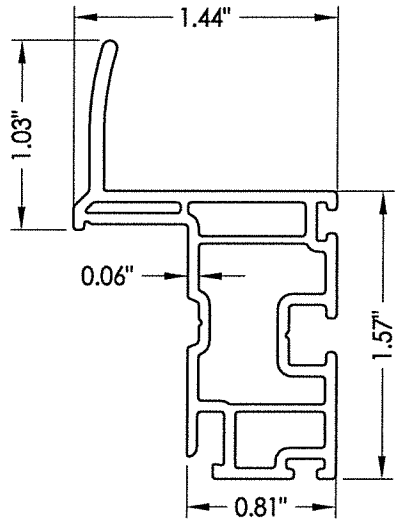
1 FRAME



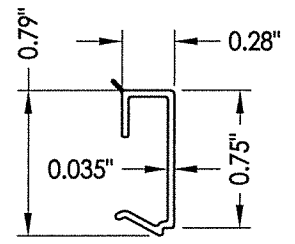
6 MEETING STILE



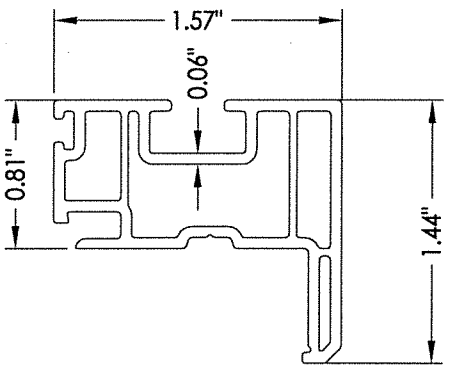
7 LOCK STILE



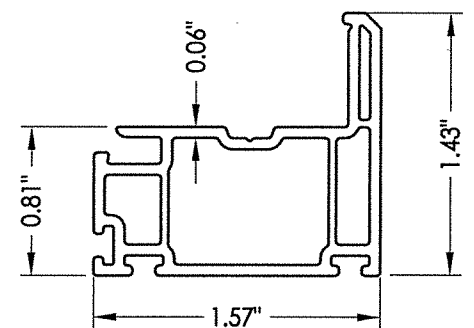
8 HANDLE STILE



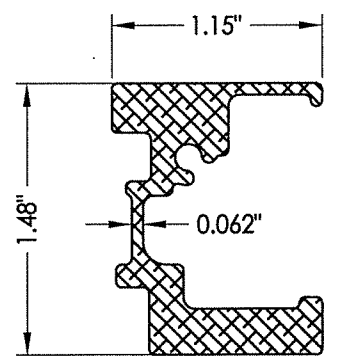
2 GLAZING BEAD



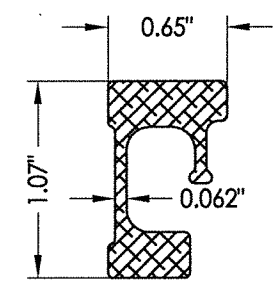
5 TOP RAIL



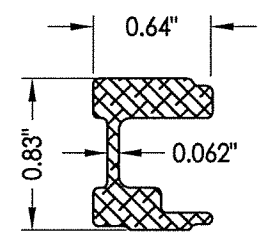
4 BOTTOM RAIL



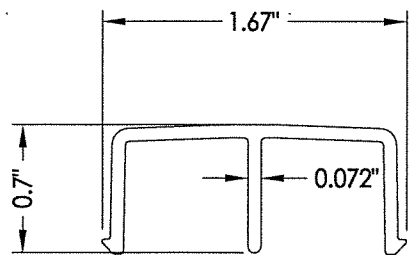
9 MEETING STILE REINFORCEMENT



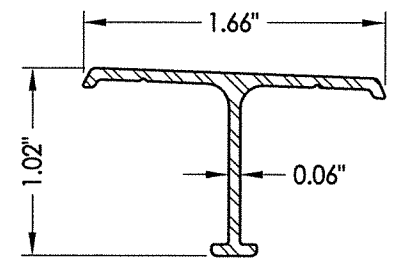
10 LOCK STILE REINFORCEMENT



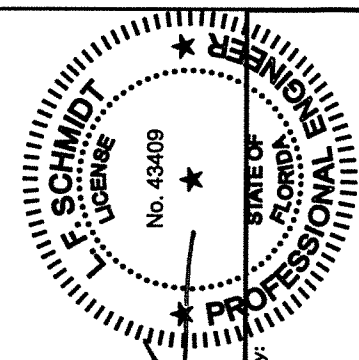
3 HANDLE STILE REINFORCEMENT



16 ROLLER TRACK



17 ANTI-LIFT



Documents Prepared By:
Lyndon F. Schmidt
P.E. No. 43409

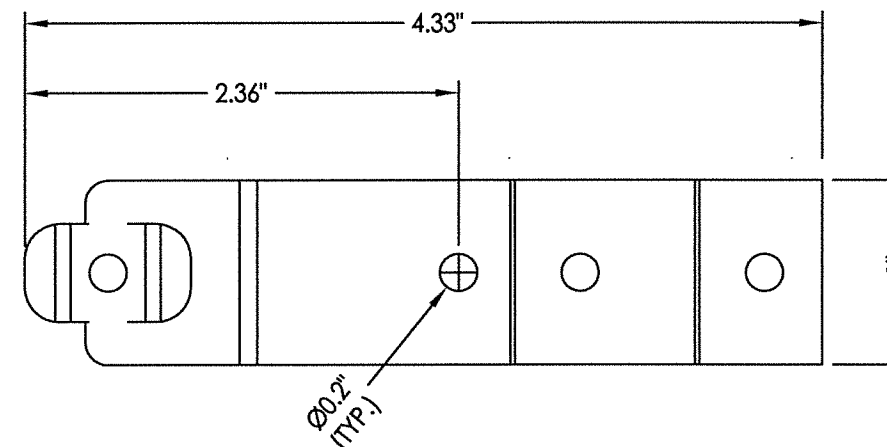
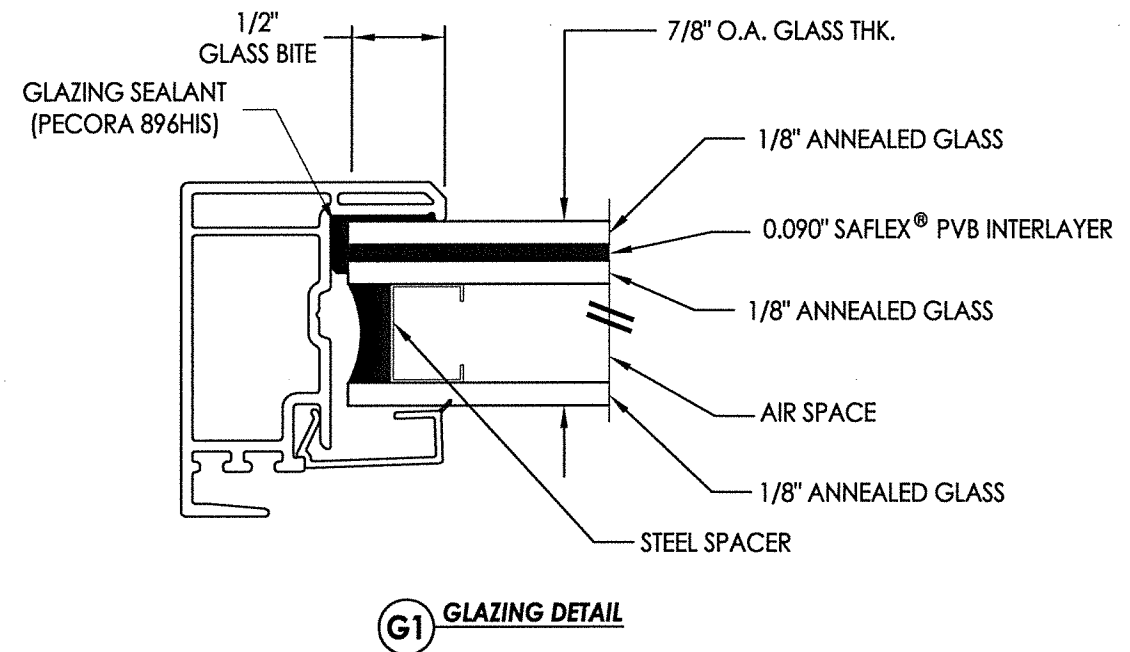
R.W. BUILDING CONSULTANTS, INC.
P.O. Box 230, Valrico, FL 33595
Phone No.: 813.659.9197
FBPE C.A. No. 9813

PRODUCT: SUNRISE WINDOWS	
PART OR ASSEMBLY: COMPONENTS	
NO.	DATE
BY	
REVISIONS	
DATE: 4/18/18	
SCALE: N.T.S.	
DWG. BY: JK	
CHK. BY: LFS	
DRAWING NO.: FL-26909.1	
SHEET 5 OF 6	

BILL OF MATERIALS

ITEM #	DESCRIPTION	MATERIAL
A	2X STUD (SG >= 0.42)	WOOD
B	2X BUCK (SG >= 0.42)	WOOD
C	1/8" MAX. SHIM SPACE	-
D	1/4" X 2-3/4" PFH ELCO OR ITW CONCRETE SCREW	STEEL
E	MASONRY - 3,000 PSI MIN. CONCRETE CONFORMING TO ACI 301 OR HOLLOW BLOCK CONFORMING TO ASTM C90	CONCRETE
F	#8 X 1-1/4" PPH SMS (1-3/16" MIN. EMBEDMENT)	STEEL
H	#8 X 1-3/4" PPH SMS (1-3/16" MIN. EMBEDMENT)	STEEL
J	STEEL STUD Min. Thk .033" (ASTM A653 GRADE 33 Fy=33 ksi min., Fu=45 ksi min.)	STEEL
K	#10 PPH SELF-DRILLING SMS	STEEL
1	EXTRUDED VINYL FRAME (1854)*	RIGID PVC
2	EXTRUDED VINYL GLAZING BEAD (836B)*	RIGID PVC
3	HANDLE STILE REINFORCEMENT	6063 - T5 ALUM
4	BOTTOM RAIL (1808)*	RIGID PVC
5	TOP RAIL (1879)*	RIGID PVC
6	MEETING STILE (1837)*	RIGID PVC
7	LOCK STILE (1806)*	RIGID PVC
8	HANDLE STILE (1805)*	RIGID PVC
9	MEETING STILE REINFORCEMENT	6063 - T5 ALUM
10	LOCK STILE REINFORCEMENT	6063 - T5 ALUM
11	SASH LOCK	-
12	KEEPER	-
14	ROLLER (VISION #1147)	-
16	ROLLER TRACK	6063 - T5 ALUM
17	ANTI-LIFT ALUMINUM	6063 - T5 ALUM
18	#6 X 1/2" PPH SMS	STEEL
19	FLORIDA FLANGE (1859)*	RIGID PVC
20	WEATHERSTRIP (.187" X .290")	-
21	INTERLOCK SEAL	-
30	INSTALLATION TIE STRAP	STEEL
31	#6 X 1-1/4" PFH WOOD SCREW (1-3/16" MIN. EMBEDMENT)	STEEL
32	#8 X 1" PPH SMS	STEEL

* THE APPROVED WHITE RIGID PVC EXTERIOR EXTRUSIONS FOR WINDOWS ARE TO BE PRODUCED BY EXTRUDERS LICENSEES IN "AAMA CERTIFICATION PROGRAMS FOR RIGID PVC EXTRUSIONS".



30 INSTALLATION TIE STRAP
18 GA. STEEL (0.048")

Documents Prepared By:
 Lyndon F. Schmidt
 P.E. No. 43409

R.W. BUILDING CONSULTANTS, INC.
 P.O. Box 230, Vairico, FL 33595
 Phone No.: 813.659.9197
 FBPE C.A. No. 9813

PRODUCT:		SUNRISE WINDOWS	
PART OR ASSEMBLY:		BILL OF MATERIALS AND GLAZING DETAILS	
NO.	DATE	BY	REVISIONS

DATE: 4/18/18
 SCALE: N.T.S.
 DWG. BY: JK
 CHK. BY: LFS
 DRAWING NO.: FL-26909.1
 SHEET 6 OF 6